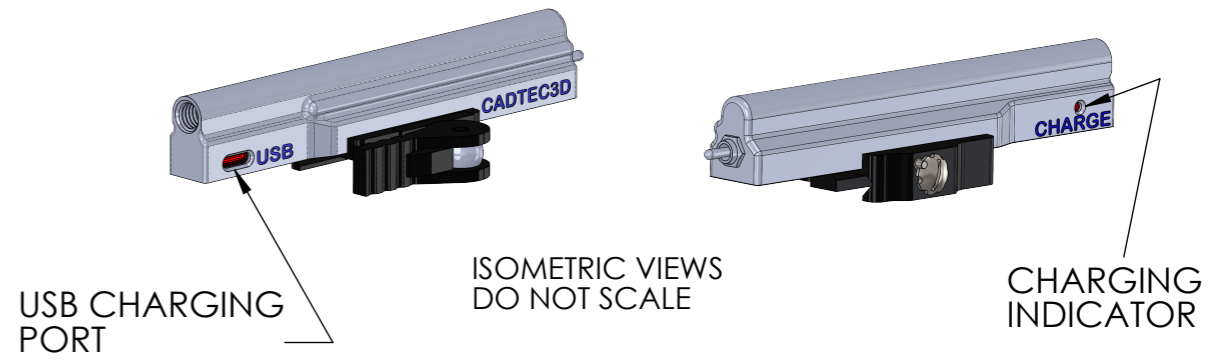
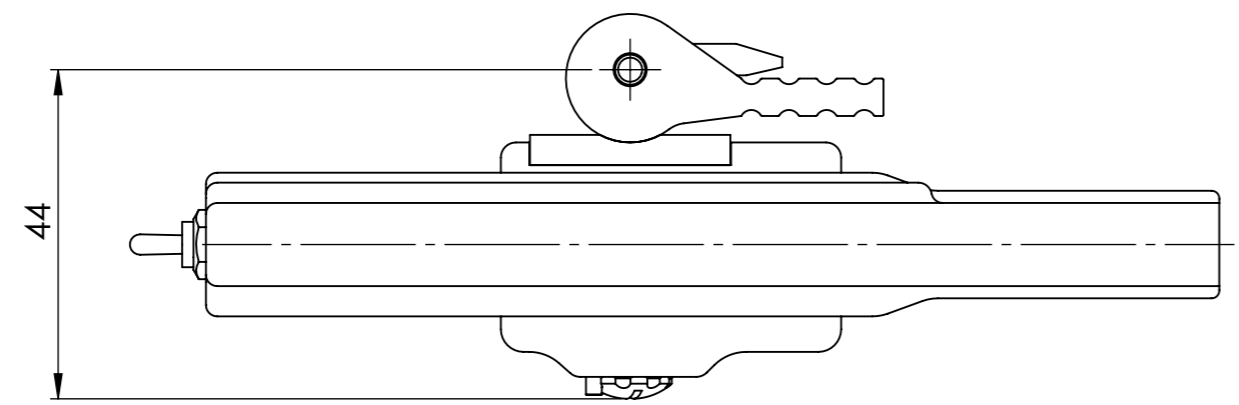
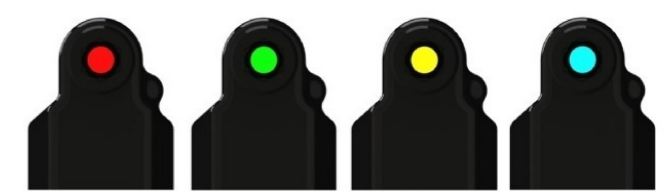
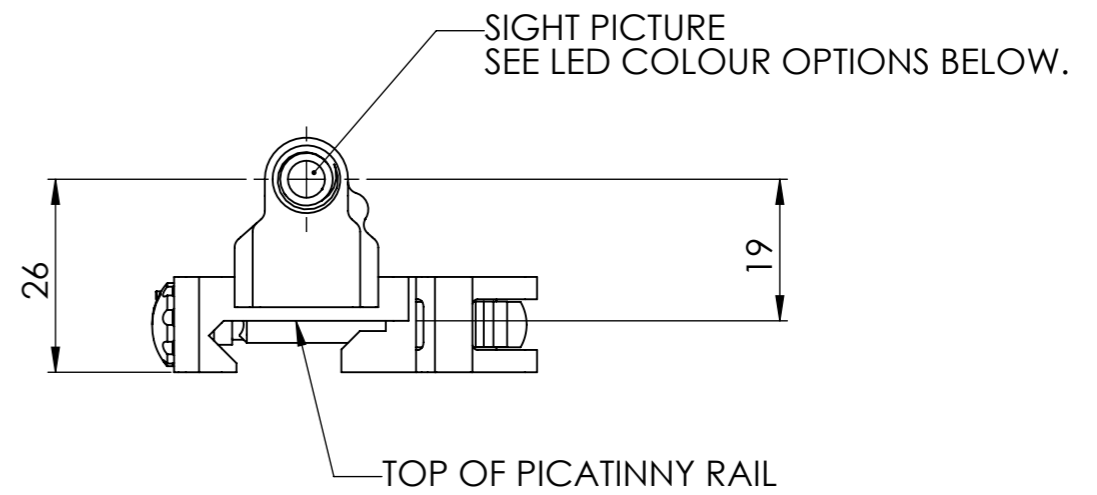
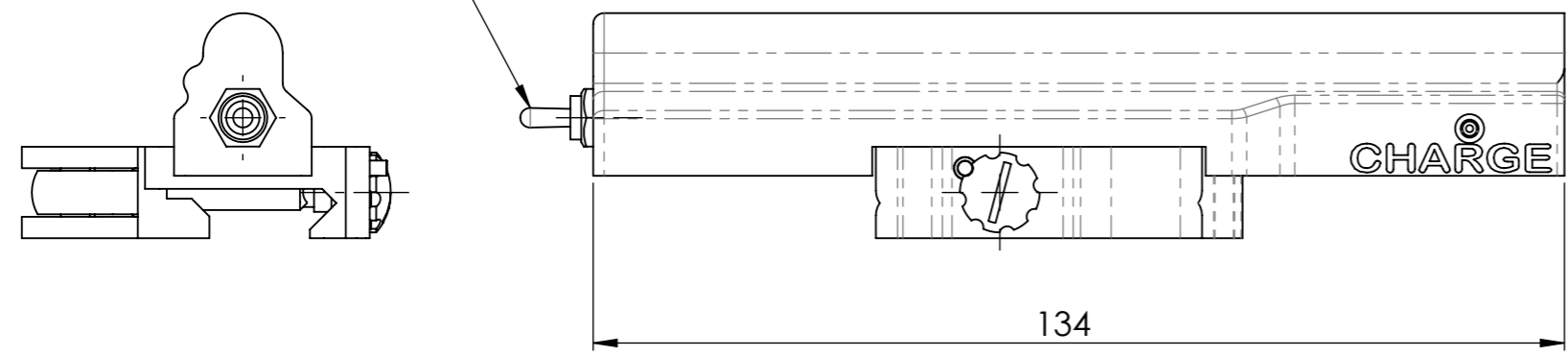


REV	ECN REF	PREPARED	DATE	CHECKED	DATE	APPROVED	DATE
1							
2							
3							
4							
5							

A
B
C
D
E
F



LED INTENSITY SELECTOR SWITCH



LED colour options available

QUICK RELEASE PICATINNY RAIL ADAPTER

PLEASE VISIT <https://www.CADtec3D.co.uk/SHOP> FOR PURCHASING DETAILS & OPTIONS

C:_DATA\WORK\CADtec3D\Projects 2021\1_SGS-310-3D compact LED Sight for Picatinny Rail\SGS-300 LED SIGHT

THIS IS A SOLIDWORKS GENERATED DRAWING - DO NOT CHANGE MANUALLY

MATERIAL:
SURFACE FINISH:
SURFACE TREATMENT 1:
SURFACE TREATMENT 2:
OTHER PROCESS:

UNLESS OTHERWISE SPECIFIED
 1. ALL DIMENSIONS IN MILLIMETERS
 2. PART(S) TO BE INSPECTED TO THIS DWG AND 3D DATA
 3. BREAK ALL EDGES & EXTERNAL CORNERS BY 0.2 - 0.5
 4. ALL UNSPECIFIED RADII R2.5
 5. THREADS ARE ISO METRIC, COARSE PITCH, CLASS 6H OR 6g TO BS3643 PART 2
 6. DEBURR AND REMOVE SWarf FROM ALL HOLES
 7. NO EDM PROCESSES TO BE USED EXCEPT BY PRIOR AGREEMENT FROM CADtec3D
 8. DIMENSIONS APPLY AFTER PLATING

DO NOT SCALE IF IN DOUBT ASK!
 THIRD ANGLE PROJECTION

UNLESS OTHERWISE SPECIFIED TOLERANCES (2D)
 X ±0.5
 X.X ±0.20
 X.XX ±0.10
 X.XXX ±0.05
 ANGULAR: ±0.25

TOLERANCES (3D CAD MODEL)
 PROFILE: ±0.10 HOLE CRS: ±0.10
 ANGULAR: ±0.5



TITLE SGS-300 LED SIGHT OUTLINE DRAWING		PRODUCT REF	MASS (ESTIMATE) g
SCALE 1:1	PART NUMBER SGS-300-00	CUSTOMER REF	
SHEET 1 OF 1	A3		